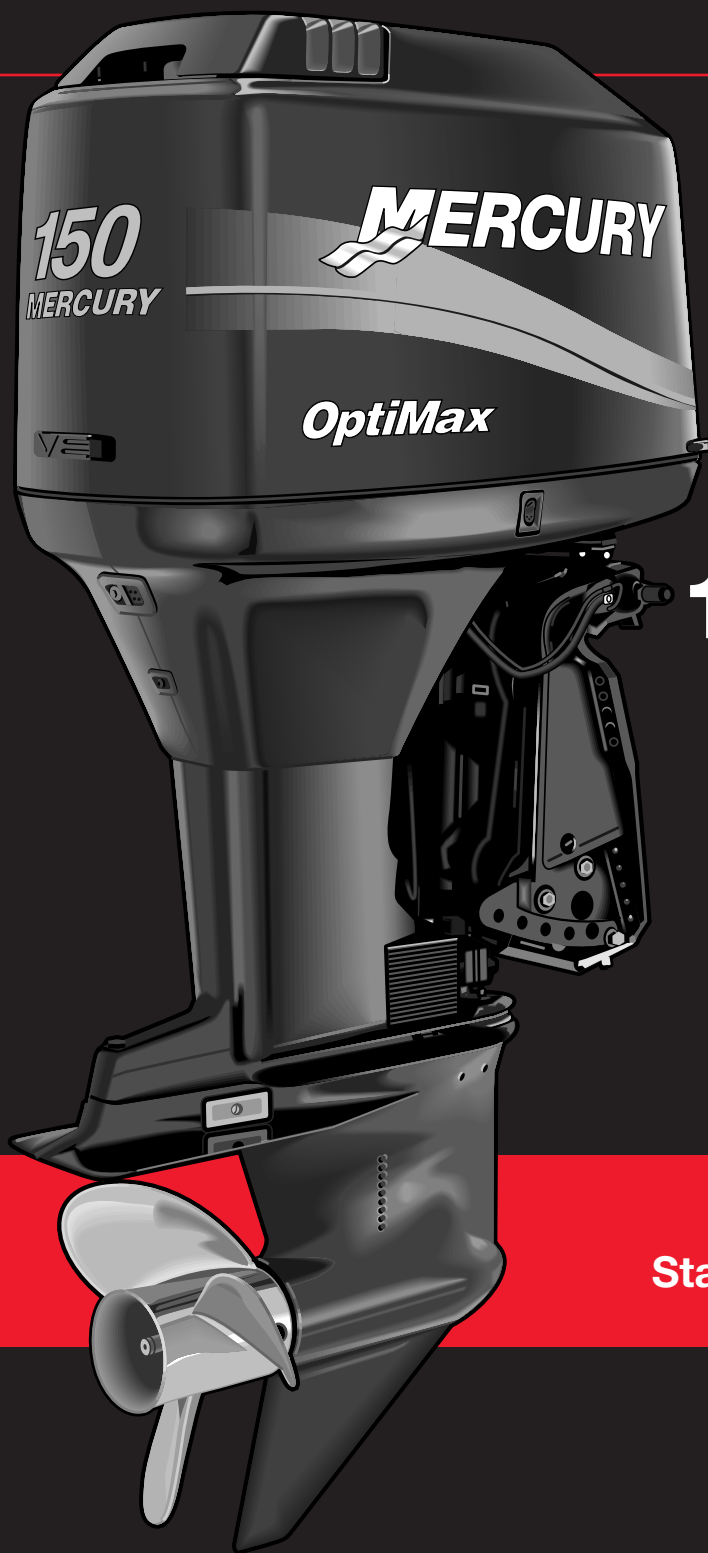


MERCURY

MERCURY

Service Manual



115/135/150/175 OptiMax


**115/135/150/175
OptiMax
Direct Fuel Injection**

**Starting Model Year 2000
Starting Serial Number OG960500**

**Starting Model Year 2000
Starting S/N OG960500**



Notice

Throughout this publication, “Dangers”, “Warnings” and “Cautions” (accompanied by the International HAZARD Symbol ) are used to alert the mechanic to special instructions concerning a particular service or operation that may be hazardous if performed incorrectly or carelessly. **OBSERVE THEM CAREFULLY!**

These “Safety Alerts” alone cannot eliminate the hazards that they signal. Strict compliance to these special instructions when performing the service, plus “Common Sense” operation, are major accident prevention measures.

DANGER

DANGER - Immediate hazards which WILL result in severe personal injury or death.

WARNING

WARNING - Hazards or unsafe practices which COULD result in severe personal injury or death.

CAUTION

Hazards or unsafe practices which could result in minor personal injury or product or property damage.

Notice to Users of This Manual

This service manual has been written and published by the Service Department of Mercury Marine to aid our dealers’ mechanics and company service personnel when servicing the products described herein.

It is assumed that these personnel are familiar with the servicing procedures of these products, or like or similar products manufactured and marketed by Mercury Marine, that they have been trained in the recommended servicing procedures of these products which includes the use of mechanics’ common hand tools and the special Mercury Marine or recommended tools from other suppliers.

We could not possibly know of and advise the service trade of all conceivable procedures by which a service might be performed and of the possible hazards and/or results of each method. We have not undertaken any such wide evaluation. Therefore, anyone who uses a service procedure and/or tool, which is not recommended by the manufacturer, first must completely satisfy himself that neither his nor the products safety will be endangered by the service procedure selected.

All information, illustrations and specifications contained in this manual are based on the latest product information available at the time of publication. As required, revisions to this manual will be sent to all dealers contracted by us to sell and/or service these products.

It should be kept in mind, while working on the product, that the electrical system and ignition system are capable of violent and damaging short circuits or severe electrical shocks. When performing any work where electrical terminals could possibly be grounded or touched by the mechanic, the battery cables should be disconnected at the battery.

Any time the intake or exhaust openings are exposed during service they should be covered to protect against accidental entrance of foreign material which could enter the cylinders and cause extensive internal damage when the engine is started.



It is important to note, during any maintenance procedure replacement fasteners must have the same measurements and strength as those removed. Numbers on the heads of the metric bolts and on the surfaces of metric nuts indicate their strength. American bolts use radial lines for this purpose, while most American nuts do not have strength markings. Mismatched or incorrect fasteners can result in damage or malfunction, or possibly personal injury. Therefore, fasteners removed should be saved for reuse in the same locations whenever possible. Where the fasteners are not satisfactory for re-use, care should be taken to select a replacement that matches the original.

Cleanliness and Care of Outboard Motor

A marine power product is a combination of many machined, honed, polished and lapped surfaces with tolerances that are measured in the ten thousands of an inch/mm. When any product component is serviced, care and cleanliness are important. Throughout this manual, it should be understood that proper cleaning, and protection of machined surfaces and friction areas is a part of the repair procedure. This is considered standard shop practice even if not specifically stated.

Whenever components are removed for service, they should be retained in order. At the time of installation, they should be installed in the same locations and with the same mating surfaces as when removed.

Personnel should not work on or under an outboard which is suspended. Outboards should be attached to work stands, or lowered to ground as soon as possible.

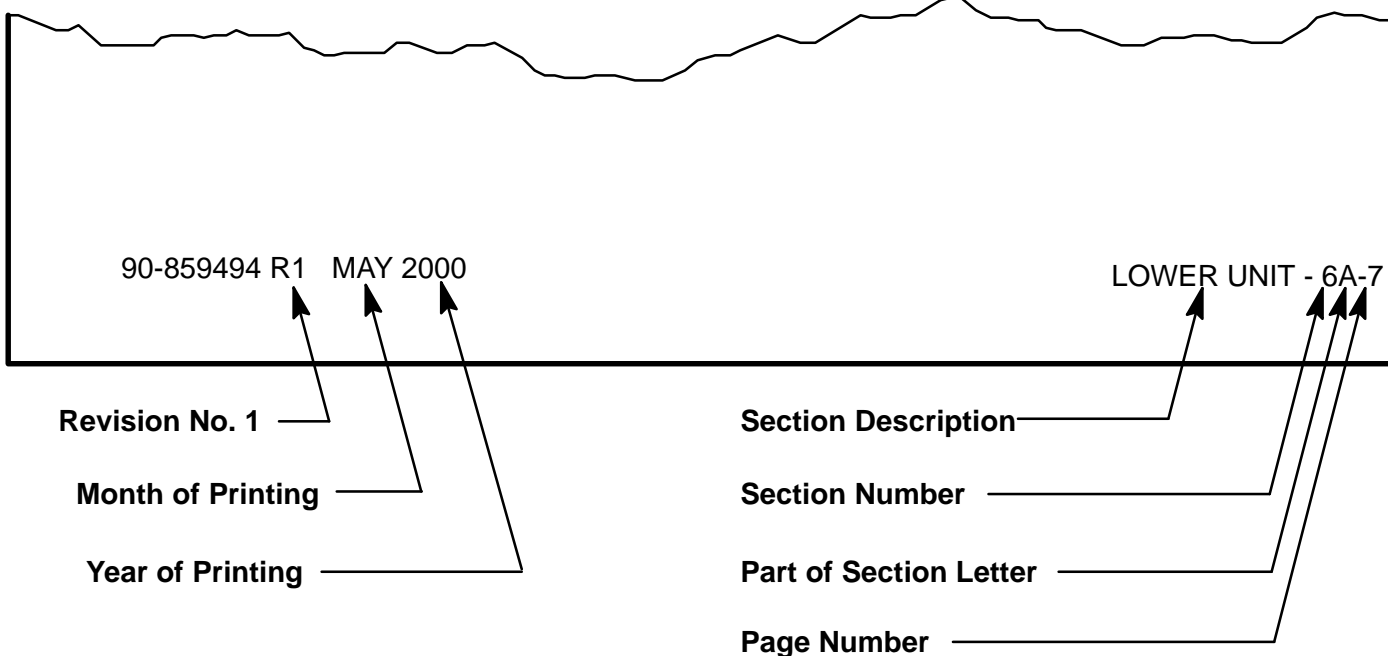
We reserve the right to make changes to this manual without prior notification.

Refer to dealer service bulletins for other pertinent information concerning the products described in this manual.

Page Numbering

Two number groups appear at the bottom of each page. The example below is self-explanatory.

EXAMPLE:





Service Manual Outline

Section 1 - General Information & Specifications

- A - Specifications
- B - Maintenance
- C - General Information
- D - Outboard Installation

Section 2 - Electrical

- A - Ignition
- B - Charging & Starting System
- C - Timing, Synchronizing & Adjusting
- D - Wiring Diagrams

Section 3 - Fuel System

- A - Fuel Pump
- B - Direct Fuel Injection
- C - Oil Injection
- D - Emissions

Section 4 - Powerhead

- A - Powerhead
- B - Cooling

Section 5 - Mid-Section

- A - Clamp/Swivel Brackets & Drive Shaft Housing
- B - Power Trim – Design I (Showa)
- C - Power Trim – Design II (Oildyne)

Section 6 - Gear Housing

- A - Right Hand (Standard) Rotation Non-Ratcheting
- B - Left Hand (Counter) Rotation Non-Ratcheting

Section 7 - Attachments/Control Linkage

Section 8 - Color Diagrams

General Information & Specifications	1
Ignition System	2
Fuel System	3
Powerhead	4
Mid-Section	5
Gear Housing	6
Attachment/Control Linkage	7
Color Diagrams	8